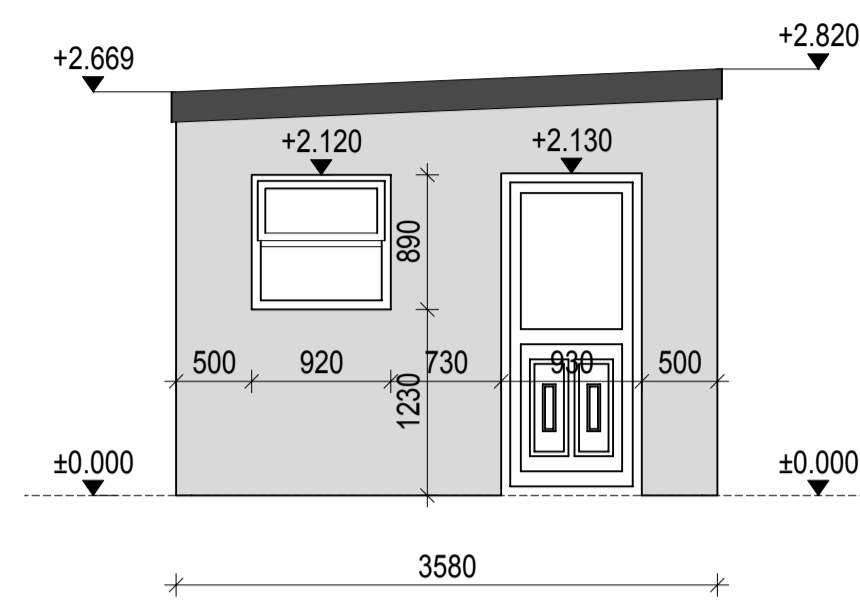
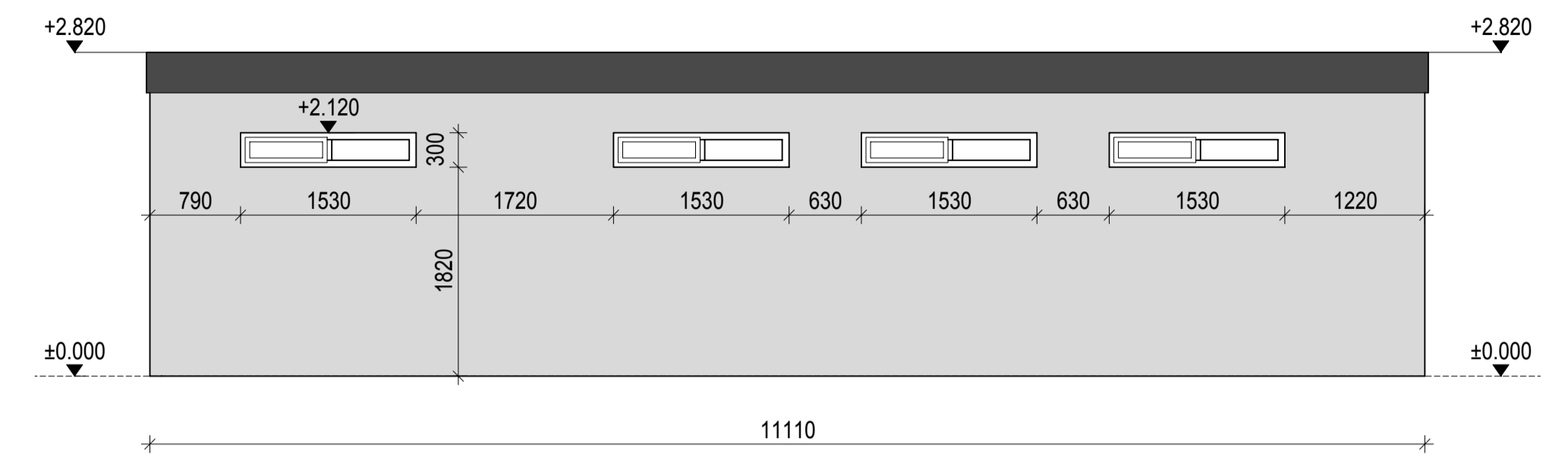


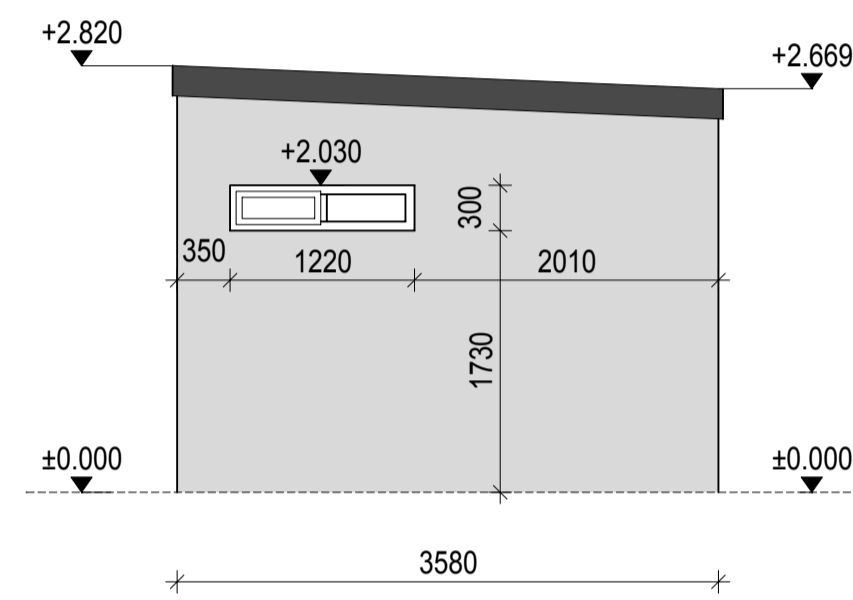
01_Elevation
Scale 1:50



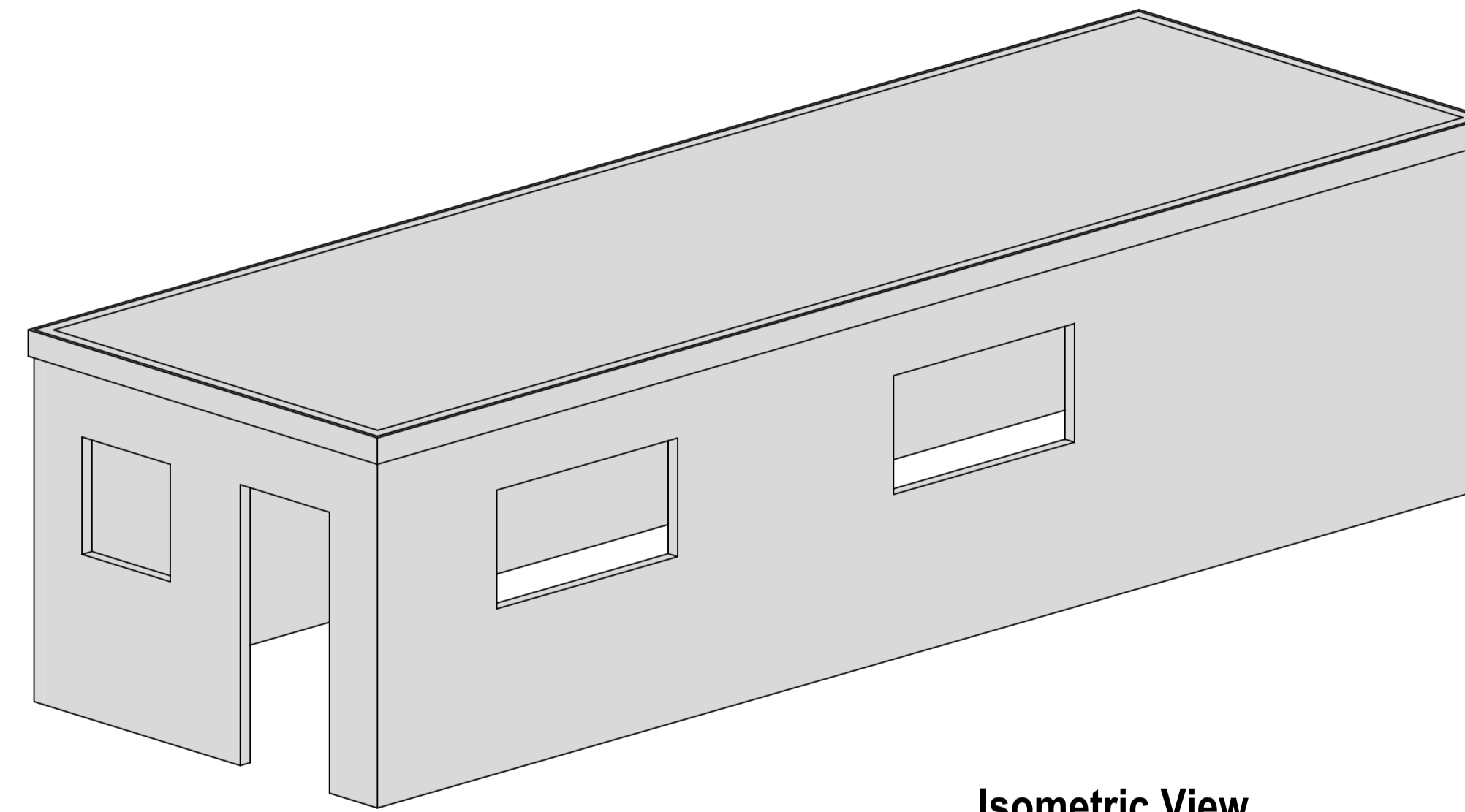
02_Elevation
Scale 1:50



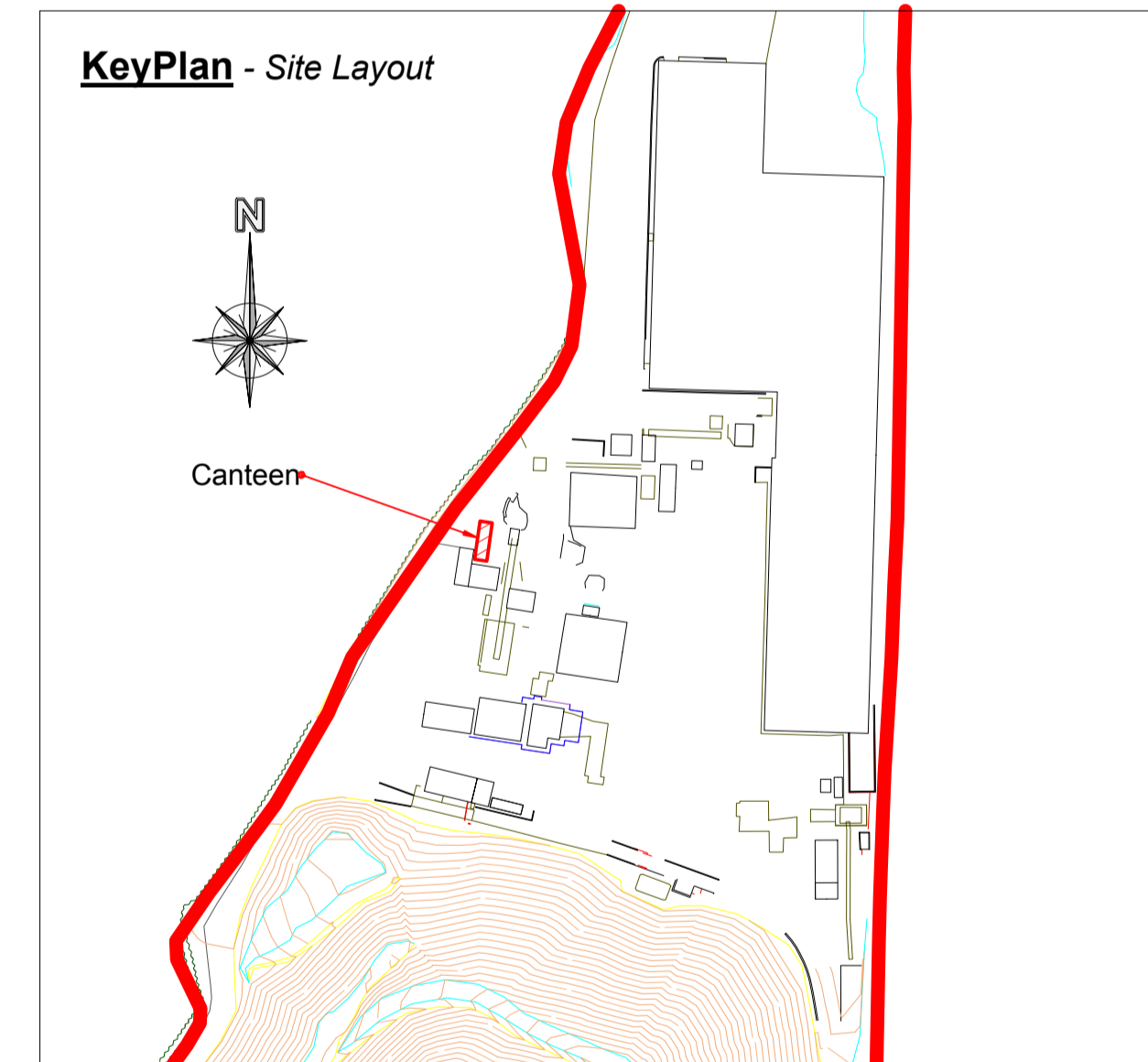
03_Elevation
Scale 1:50



04_Elevation
Scale 1:50



Isometric View
NTS

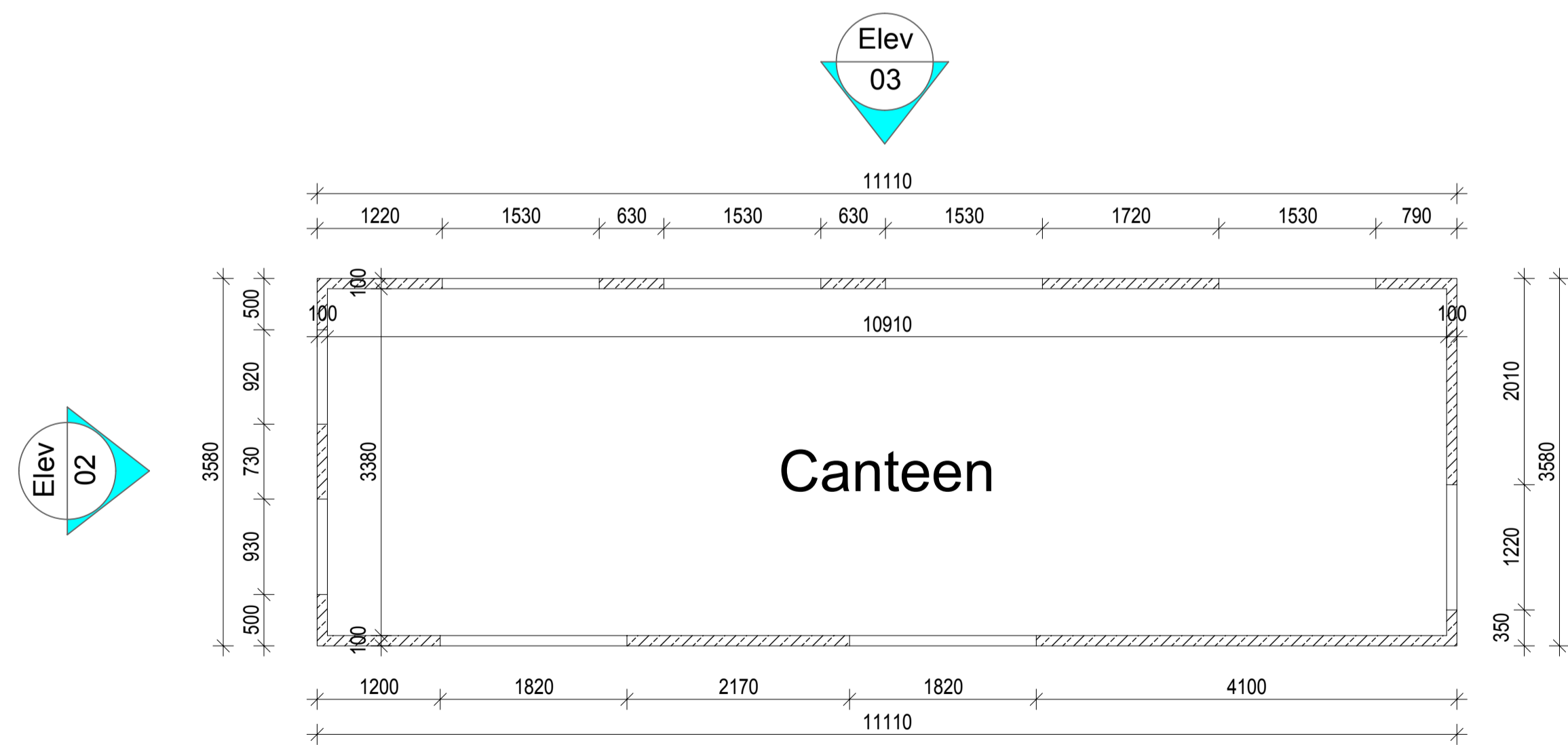


Rev.	Date	Amendment	by
P2	23/07/19	Issued for planning purposes	TM
P1	28/03/19	Issued for planning purposes	TM

KEEGAN PRECAST
PRECAST TWIN WALL & FLOOR PRODUCTS

Trammon, Rathmolyon, Co. Meath • Phone: 046-9555-116 • Fax: 046-9560-917 • Email: info@keeganquarries.com

Client:	Keegan Precast Ltd.			
Project:	Canteen			
Level:	Ground Level			
Contents:	Plan & Elevations			
Format:	A 1	Scale:	1:50	
Drawn by:	TM	Checked by:	JOB	
Drawing No.:	KEE-15224-PL-109		Date:	27/03/19
Rev.:	P2			



Plan Layout
Scale 1:50

Elev 01